

Installation Instructions for 20-Minute Positive Pressure and Smoke Control Doors **UBC 7-2 (97) Part 1 & 2**

- Install doors in accordance with the latest published edition of NFPA 80, "Standard for Fire Doors and Fire Windows". Fire rated doors are required to be machined by A&L Shielding Inc. or other licensed manufacturers or machining centers (licensed by Inter-tek Testing Service (ITS) specifically for machining A&L Shielding Inc. doors).
- Labels will be located on the hinge stile of the door unless continuous hinges are used. In that case only, the label will be located on the top of the door. **DO NOT REMOVE THE LABEL.** It identifies the door as fire rated.
- Field trimming for height may be done only on the bottom rail of the door and only up to a maximum of 3/4" less than nominal per NFPA 80 requirements. Maximum clearances allowed by NFPA 80 are 1/8" at the top and each edge and 3/4" at the bottom.
- Surface mounted hardware must be attached with thru-bolts unless interior blocking is provided. Take proper shielding precautions when thru-bolts are used.
- Minimum 18 gauge steel frames with or without lead lining are required. No intumescent hardware kits are required.

Category A: No Additional Edge Sealing System Required

This category includes doors that have intumescent material installed in the stiles and top rail.

- **Installation Requirements: Single Door - To meet part 1 of UBC 7-2 (97)**
No additional intumescent is required for Part 1 compliance.
- **Installation Requirements: Pair Doors - To meet part 1 of UBC 7-2 (97)**
The meeting edge intumescent is factory installed when a wood astragal is being used. No intumescent is required when a listed metal edge and astragal set is supplied.
- **Installation Requirements: Single Door - To meet part 2 of UBC 7-2 (97)**
Install "listed" smoke seal gasketing (Category H) on both door jambs and the header.
- **Installation Requirements: Pair Doors - To meet part 2 of UBC 7-2 (97)**
Install "listed" smoke seal gasketing (Category H) on door hinge jambs and the door heads. When an astragal is used, install a strip of "listed" smoke seal gasketing on the meeting stile edge of one leaf of the pair.

Category B: Additional Edge Sealing System Required

This category includes doors that do not have intumescent material installed in the stiles and top rail.

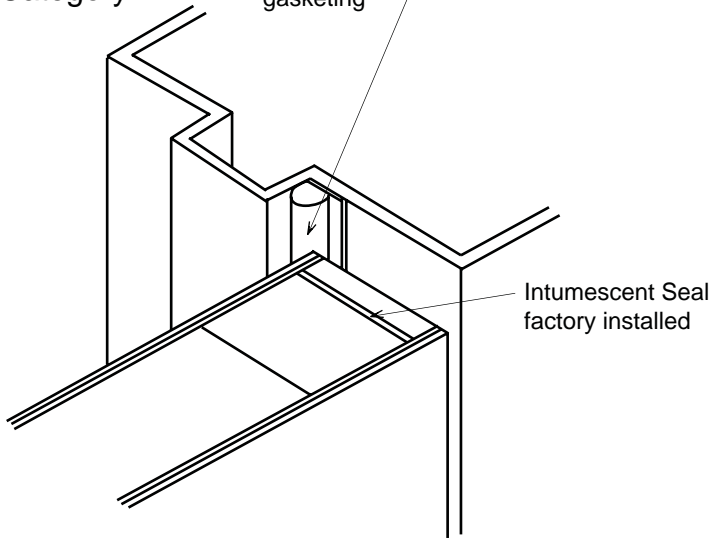
- **Installation Requirements: Single Door - To meet part 1 of UBC 7-2 (97)**
To meet part 1 of UBC 7-2 (97) the installer must apply a "listed" intumescent on both frame jambs and frame head, following the intumescent manufacturer's instructions for installation.
- **Installation Requirements: Pair Doors - To meet part 1 of UBC 7-2 (97)**
The installer must apply a "listed" intumescent on both frame jambs and the frame head per manufacturer's instructions. The meeting edge intumescent is factory installed when a wood astragal is being used. No intumescent is required when a listed metal edge and astragal set is supplied.
- **Installation Requirements: Single Door - To meet part 2 of UBC 7-2 (97)**
Install "listed" smoke seal gasketing (Category H) on both door jambs and the header.

Installation Requirements: Pair Doors - To meet part 2 of UBC 7-2 (97)

Install "listed" smoke seal gasketing (Category H) on door hinge jambs and the door heads. When an astragal is used, install a strip of "listed" smoke seal gasketing on the meeting stile edge of one leaf of the pair.

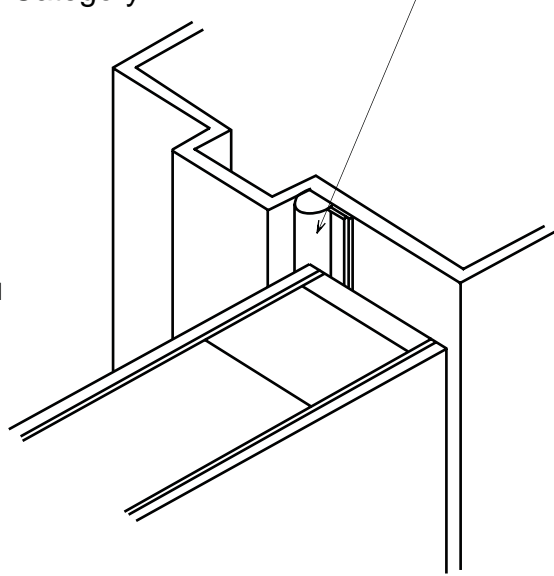
Category A

Listed smoke seal gasket. Shown with Pemko S88 gasketing



Category B

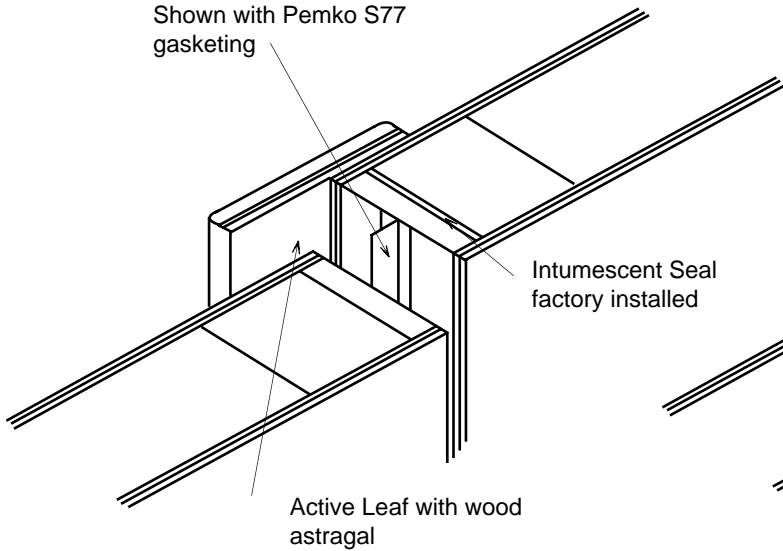
Frame applied listed intumescent strip and smoke seal gasketing. Shown with Pemko HSS2000 under S88 gasketing



Drawings show example placements of listed gasketing and sealing systems for CoreClad® doors.

Category A or B Pair meeting stiles do not require field applied intumescent. UBC 7-2(97)Part 2 compliance requires a listed Category H smoke seal at meeting stiles.

Listed smoke seal gasket. Shown with Pemko S77 gasketing



Listed smoke seal gasket. Shown with Pemko S77 gasketing

